

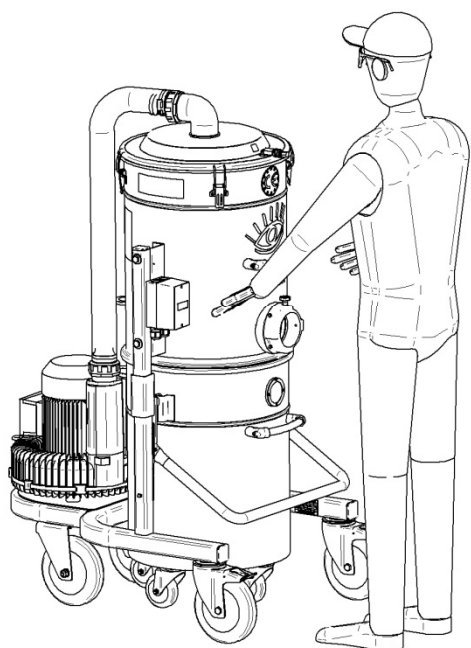
iVision

Industrial Suction Devices



460

iVision proposes the 460 series for general cleaning of the working environment or to effectively work alongside your tool machine. Optimum manoeuvring, compact and suction efficiency features guarantee constant performance during use. This new range is ideal for collecting steel, dust, aluminium and plastic shavings. The use of high-quality standard components such as the quiet and reliable side channel turbine allow iVision suction devices to operate continuously without requiring any type maintenance. Furthermore the standard pneumatic turbine filter shaker guarantees perfect and efficient filtering.



iVision Srl – Società con unico socio
Via Mercadante, 14 - 47841
Cattolica (RN) - Italy

Reg. Imprese di Rimini R.E.A. 313675
C.F. e P.I. 03860600406
Capitale Sociale 20.000 Euro i.v.

Tel. + Fax.+39.0541.833094
www.ivisionsrl.it
info@ivisionsrl.it

Collection unit

The vacuumed material deposits in an easy-to-remove steel container equipped with 4 wheels (100 litre capacity), allowing you to quickly dispose of the suctioned material without getting dirty. The suction device is provided with a sturdy powder-painted steel frame, complete with no-marking revolving wheels with parking brake.



Filtering unit

The steel filtering compartment houses the polyester filter, which protects the suction unit, ensures dust holding and outlet air purity, thanks to a large surface and high efficiency filtering (3 micron). A pneumatic turbine allows the operator to clean the filter lengthening its lifetime.

Suction unit

The suction device can be supplied with the 1200 m³/h Centrifugal Fan, or the turbine aluminium die cast suction unit with side channel, in which the impeller is fastened directly to the motor shaft without transmission systems: this almost fully reduces component wear and the consequent need for maintenance. These characteristics, together with its silent running, make the motor especially suitable for continuous service (even 24 hours a day), and allow it to develop a very high depression, greater than transmission systems with the same power output. The control board consists in an on-off pushbutton panel, provided with an overload switch.



MODEL	MOTOR	POWER KW	VOLTAGE V	DEPRESSION mbar	NOZZLES N°x mm	FLOW RATE m ³ /h	TANK L	DIMENSIONS A x B x C - Cm	WEIGHT Kg
T460-1.5-205	TURBINE	1.5	230	210	1x100	205	100	152x104x73	100
V460-1.5-1200	FAN	1.5	230/400	25	1x100	1200	100	181x80x73	100
T460-2.2-310	TURBINE	2.2	230/400	200	1x100	310	100	152x104x73	110
T460-3-310	TURBINE	3	230/400	260	1x100	310	100	152x104x73	115
T460-4-310	TURBINE	4	230/400	270	1x100	310	100	152x104x73	120